



Assembly video:
<https://q-ne.ws/3taL3gw>

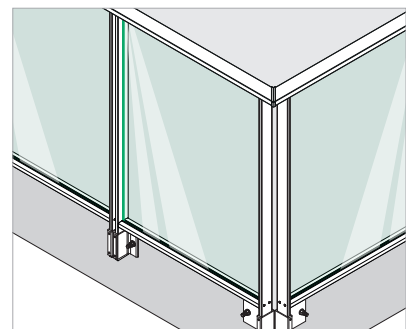
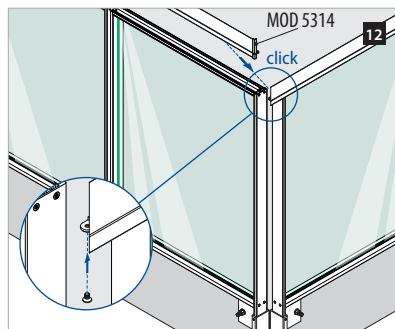
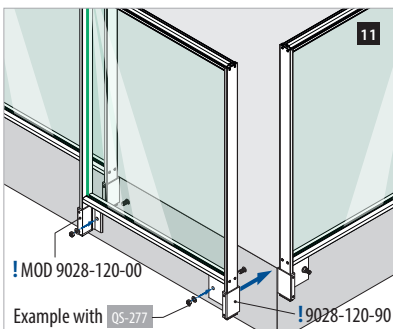
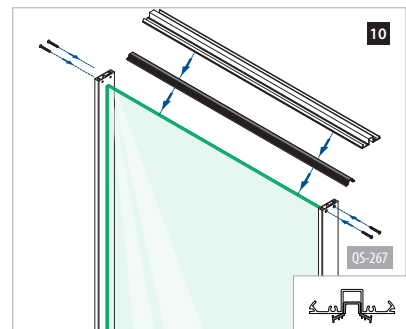
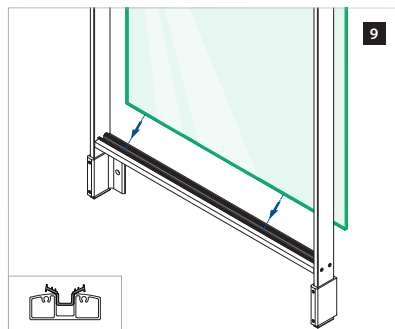
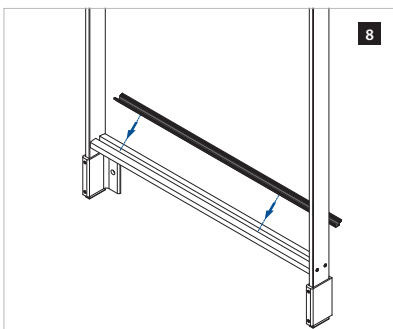
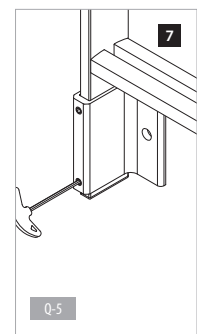
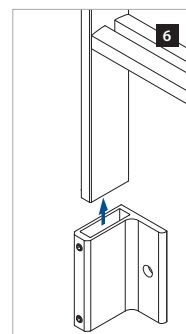
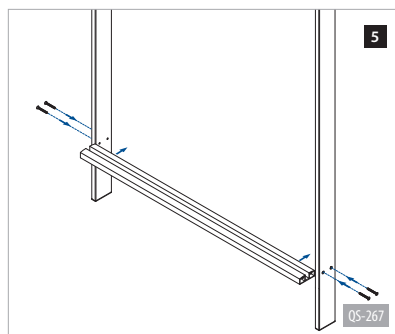
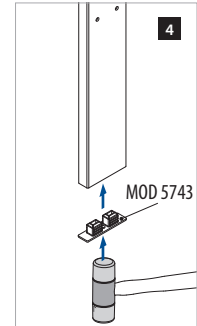
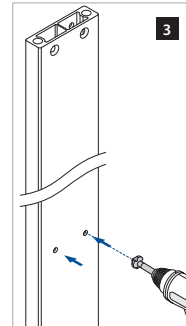
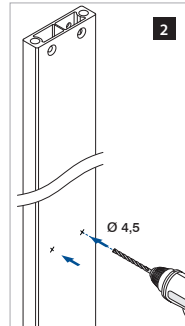
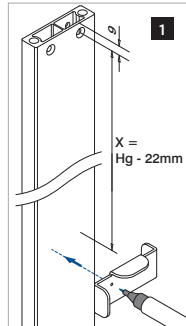
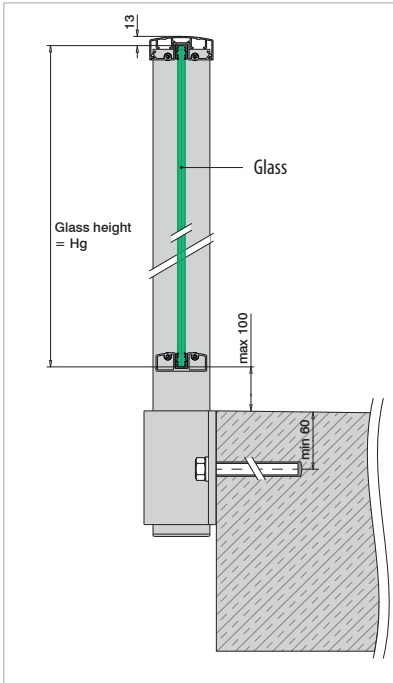
ASSEMBLY GUIDE

169028-120-x0-xx

Posts

EASY ALU - Base flanges, fascia mount

Q-INFO MOD 9028





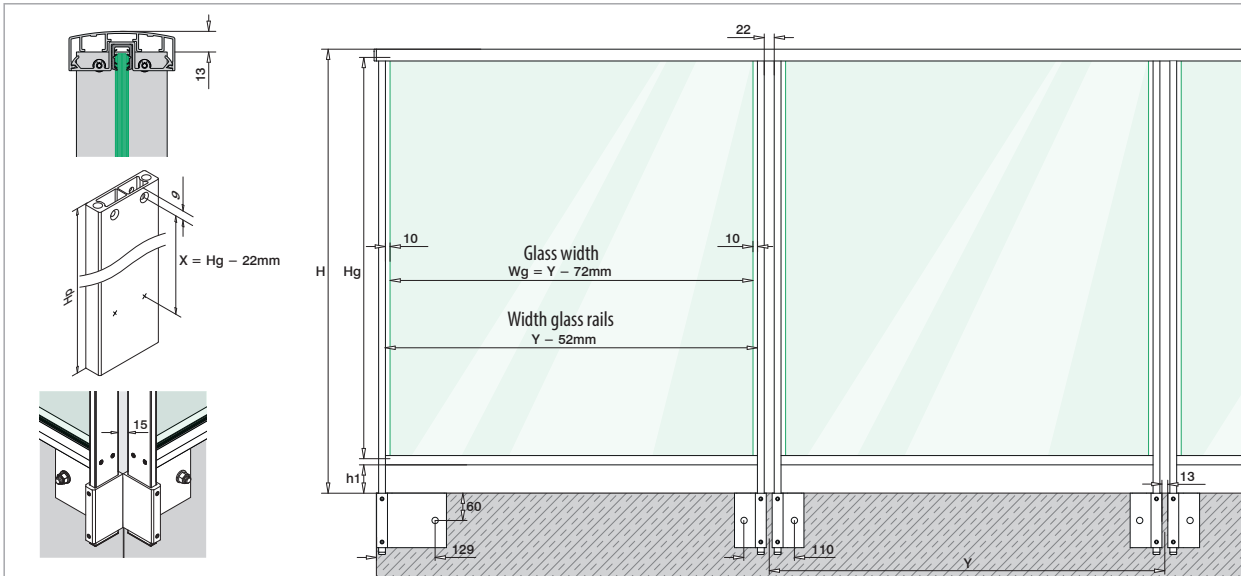
ASSEMBLY GUIDE

169028-120-x0-xx

Posts

EASY ALU - Base flanges, fascia mount

Q-INFO MOD 9028



Calculations – baluster posts, fascia mount

Railing height (H) – 140 mm = baluster post height (Hp)

Railing height (H)	Baluster post height (Hp)
900 mm	1040 mm
1000 mm	1140 mm
1100 mm	1240 mm
1200 mm	1340 mm

Glass calculation

Glass width (Wg) = Y – 72 mm
 Glass height (Hg) = railing height (H) – h1 – 12 mm

Distance drill holes in baluster post (X)

X = glass height (Hg) – 22 mm

Posts

EASY ALU - Mounting options with mid-rail

Q-INFO MOD 5952

